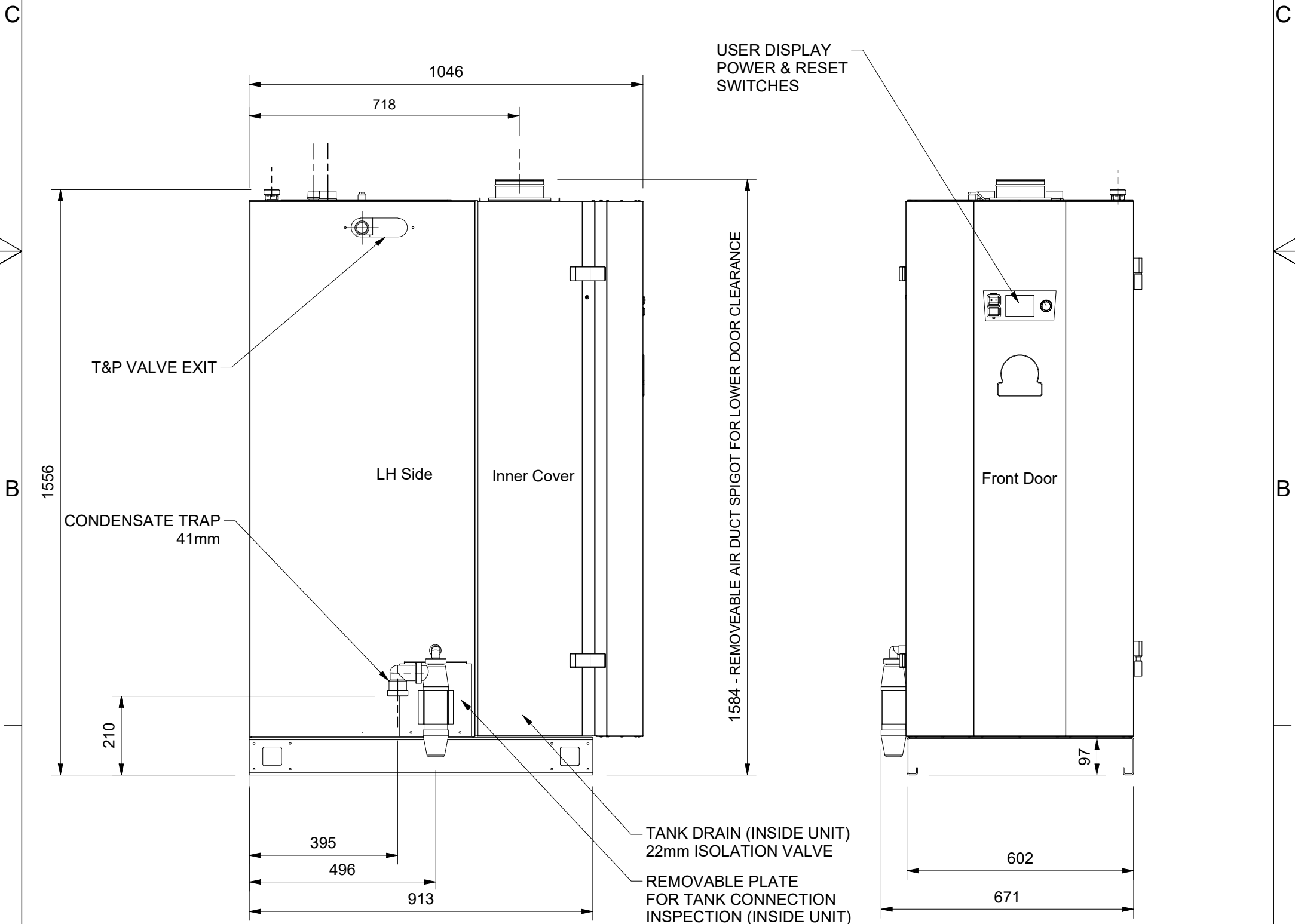
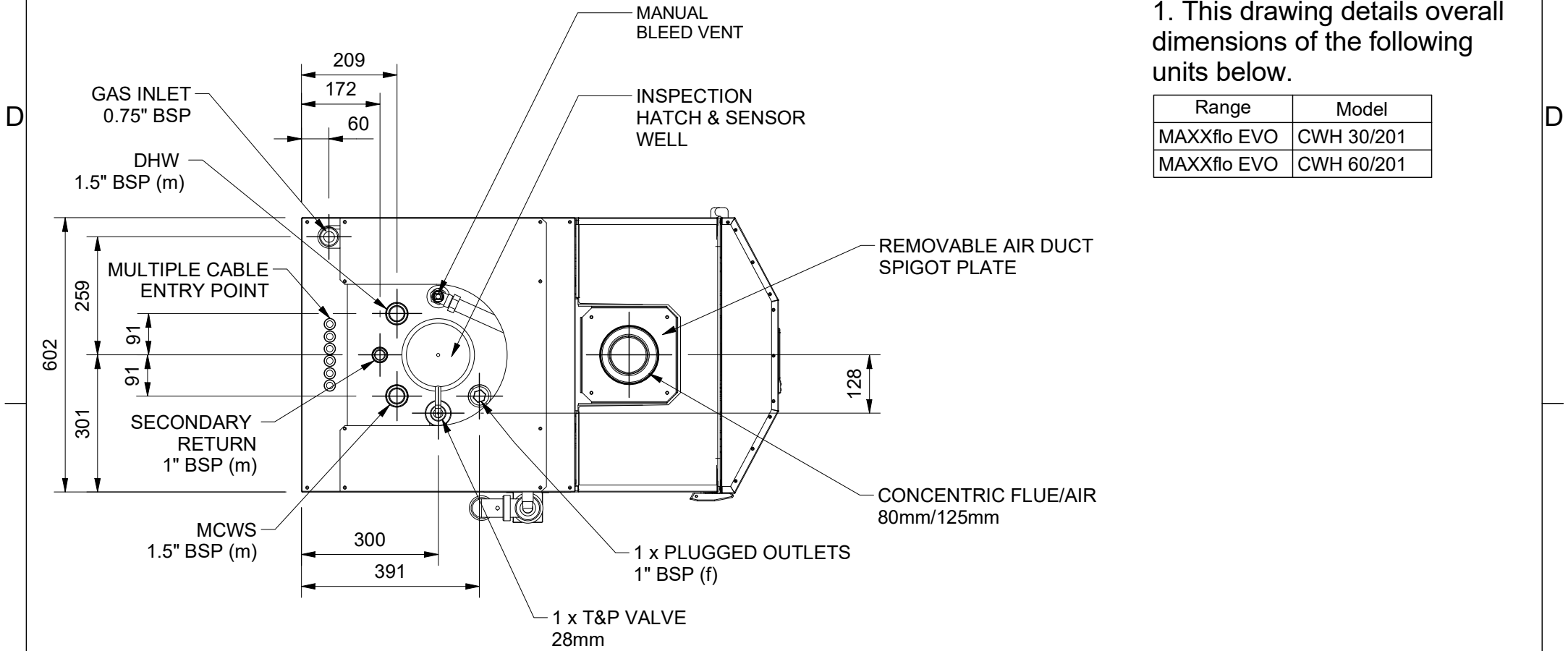


6 5 4 3 2 1

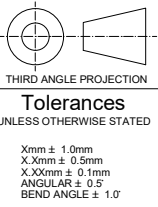
REVISION HISTORY		
REV	DESCRIPTION	DATE
A	0.75" Gas Inlet changed (was 1") Dim 1556 was 1572.	22/03/2019

Note:
1. This drawing details overall dimensions of the following units below.

Range	Model
MAXXflo EVO	CWH 30/201
MAXXflo EVO	CWH 60/201



MALVERN BOILERS LIMITED
SPRING LAKE NORTH, MALVERN
WORCESTERSHIRE, WR14 1BW.
TEL: 01905 854111
FAX: 01905 854177
WWW.MALVERNBOILERS.CO.UK



Checked by:	Approved by - date
Material:	
Part Code: M9393	Description: MAXXflo EVO CWH 201 Unit dimensions

Used On: MAXXflo EVO CWH 201	Drawn: caving	Date: 06/03/2019
Finish:	Rev: A	Sheet 1 / 1

6 5 4 3 2 1